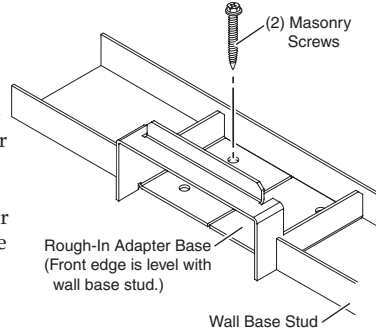


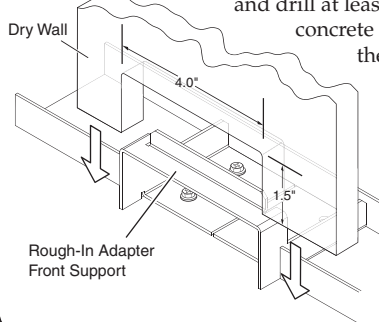
## AVTrac™ Rough-In Adapter Installation Guide

This adapter is designed for installation in new stud wall constructions, prior to installing the gypsum board walls (drywall).

1. Determine where AVTrac will abut the wall. (See the *AVTrac Installation Guide* [part number 68-1405-01] for factors that must be considered before installation.) Cut out a section of the wall base stud that is 4" (10.1 cm) wide and align the front edge of the adapter base with the front edge of the wall base stud (see the figure at right).



2. Mark the position of the holes in the adapter base, and drill at least two holes into the concrete  $5/32''$  (0.4 cm) diameter and  $1\ 1/2''$  (3.8 cm) deep. Secure the adapter to the floor with the provided masonry screws.



3. Cut a notch  $1.5''$  (3.8 cm) high x  $4''$  (10.1 cm) wide in the bottom edge of the drywall and place the drywall over the rough-in adapter with the top edge of the notch resting on top of the adapter's front support. Secure the drywall to the wall frame (see the figure at left).

4. Install the AVTrac system. For complete information about installing the AVTrac system, consult the *AVTrac Installation Guide*.

## AVTrac™ Wall Trim Plate Installation Guide

The wall trim plate is a finishing plate that compensates for any overcuts to the existing gypsum wall during AVTrac installation.

Install the trim ring in place of, or behind, existing wall base trimmings as follows:

1. Install the AVTrac system, as described in the *AVTrac Installation Guide* (part number 68-1405-01).
2. Before snapping the cover track in place and covering the track with a carpet or rubber strip, place the trim plate against the wall so that it is seated on the AVTrac, covering the overcut hole in the wall.
3. Mark the position of the two holes in the trim ring on the wall and, using the screws provided, secure the trim plate to the wall.
4. Snap the cover track in place and cover the track and ramps with carpet, as described in the *AVTrac Installation Guide* (part number 68-1405-01). If required, trim the wall baseboard to fit snugly around the track and attach it to the wall, over the trim plate.

